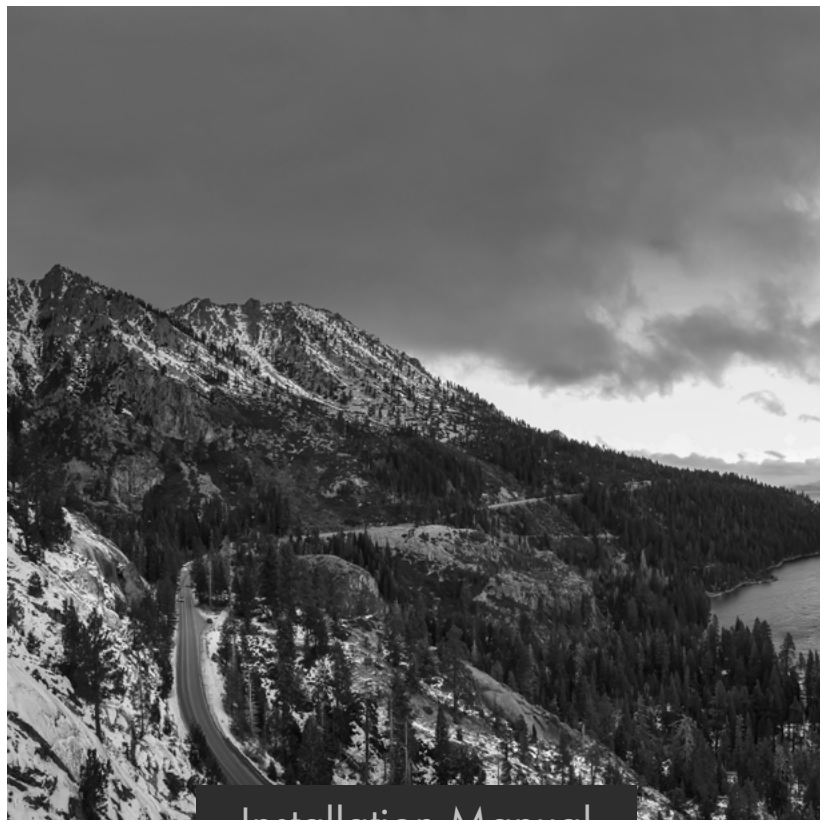


# ZLINE

ATTAINABLE LUXURY<sup>®</sup>



Installation Manual

**CROWNSOUND<sup>™</sup>**

[www.zlinekitchen.com](http://www.zlinekitchen.com)



ZLINE Kitchen and Bath provides Attainable Luxury, where the kitchen and bath of your dreams is never out of reach. Through our unique designs and unparalleled quality, we're dedicated to providing you an elevated experience in the heart of your home. With an endless selection of features and finishes, our inspiration is your reality.

**ZLINE**  
ATTAINABLE LUXURY®



ZLINE is fueled by a passion for innovation; A relentless pursuit of bringing the highest end luxury designs and professional features into everyone's homes. Because we continually strive to improve our products, we may change specifications and designs without prior notice.

**⚠ WARNING:** This product can expose you to chemicals including nickel, which is known to the State of California to cause cancer. For more information, go to [www.P65Warnings.ca.gov](http://www.P65Warnings.ca.gov).

# TABLE OF CONTENTS

IMPORTANT SAFETY INSTRUCTIONS	1
WALL CROWNSOUND™ INSTALLATION	2
ISLAND CROWNSOUND™ INSTALLATION	4
FREQUENTLY ASKED QUESTIONS	6

# IMPORTANT SAFETY INSTRUCTIONS



**WARNING**

If the information in this manual is not followed exactly, a fire or explosion may result causing property damage, personal injury, or death.

- Before beginning installation, please read and follow these important instructions for the safety of your home and the people living in it.
- The instructions in this manual are intended for qualified installers and certified service technicians. Installation and electrical wiring must be completed by qualified professionals and in accordance with applicable codes and standards.
- DO NOT attempt to install this CrownSound™ molding onto your range hood yourself. Injury could result from installing the appliance due to lack of appropriate electrical and technical background.
- The installer should leave these instructions with the consumer who should retain for local inspectors' use and for future reference.
- The manufacturer will not be responsible for any damage to property or to persons caused by incorrect installation, improper use of the appliance, or failure to heed the warnings listed.
- The manufacturer reserves the right to make changes to its products when considered necessary and useful, without affecting the essential safety and operating characteristics.
- When cutting or drilling into a wall or ceiling, be careful not to damage electrical wiring or other hidden utilities.
- All electrical wiring must be properly installed, insulated, and grounded.
- Electrical installation must be in accordance with the National Electrical Code ANSI/NPA70-latest edition and/or local codes.
- Take care when cleaning the range hood, chimney, crown molding, and CrownSound™ molding in spray form: never direct the spray onto the electrical wiring, motor, button panel, or light bulbs.
- Carefully inspect all items for damages upon delivery. Upon acceptance of items, owner assumes responsibility for its safe arrival.
- Before installing, test the CrownSound™ molding for proper functionality by plugging it in. Do not install if it has missing or broken parts. If the molding arrives damaged, contact ZLINE Customer Service at 1-614-777-5004 for help.

# WALL CROWNSOUND™ INSTALLATION

## ELECTRIC POWER RATING

Frequency: 120VAC/60 HZ

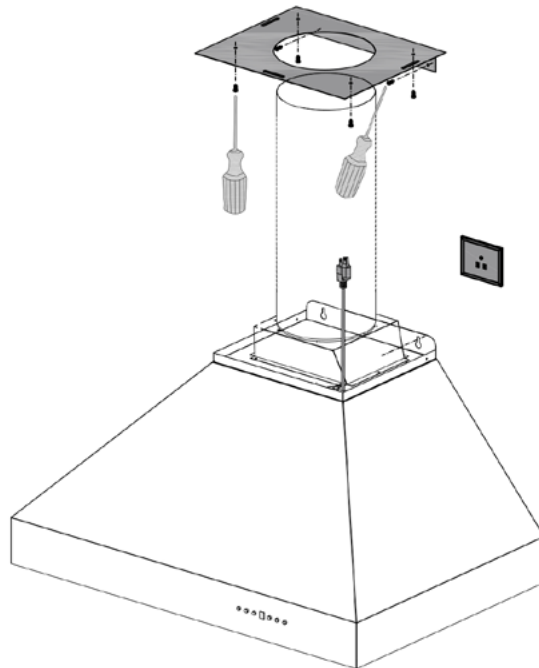
Power: 10W



## Installation Tutorial Video

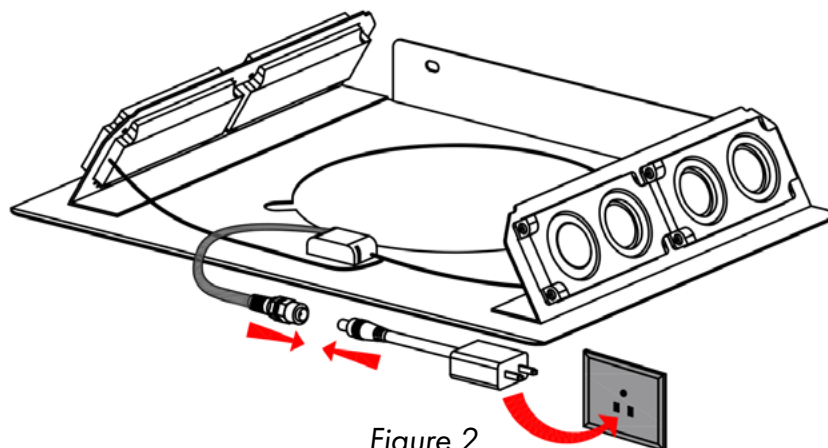
**Note:** Recirculating your range hood is not possible with CrownSound™ installation.

1. Attach crown molding bracket to ceiling using hardware provided. *Figure 1*



*Figure 1*

2. Attach ducting and electrical connections. Plug the speakers into an outlet behind the chimney. When the connection is successful, a chime will sound. *Figure 2*



*Figure 2*

# WALL CROWNSOUND™ INSTALLATION

3. Extend the chimney up to the transformer. Slide the crown molding onto the crown bracket and secure into place. The crown should cover the gap. Ensure that it installs properly and is level. *Figure 3*

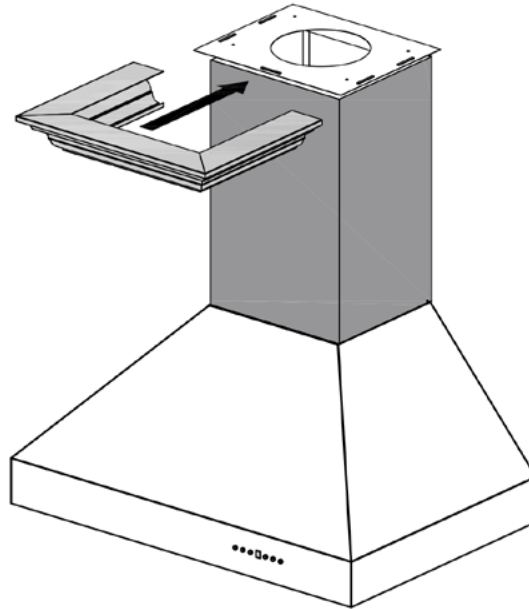


Figure 3

4. Open the phone's Bluetooth settings and find "ZLINE Audio." When the connection is successful, a chime will sound. *Figure 4*

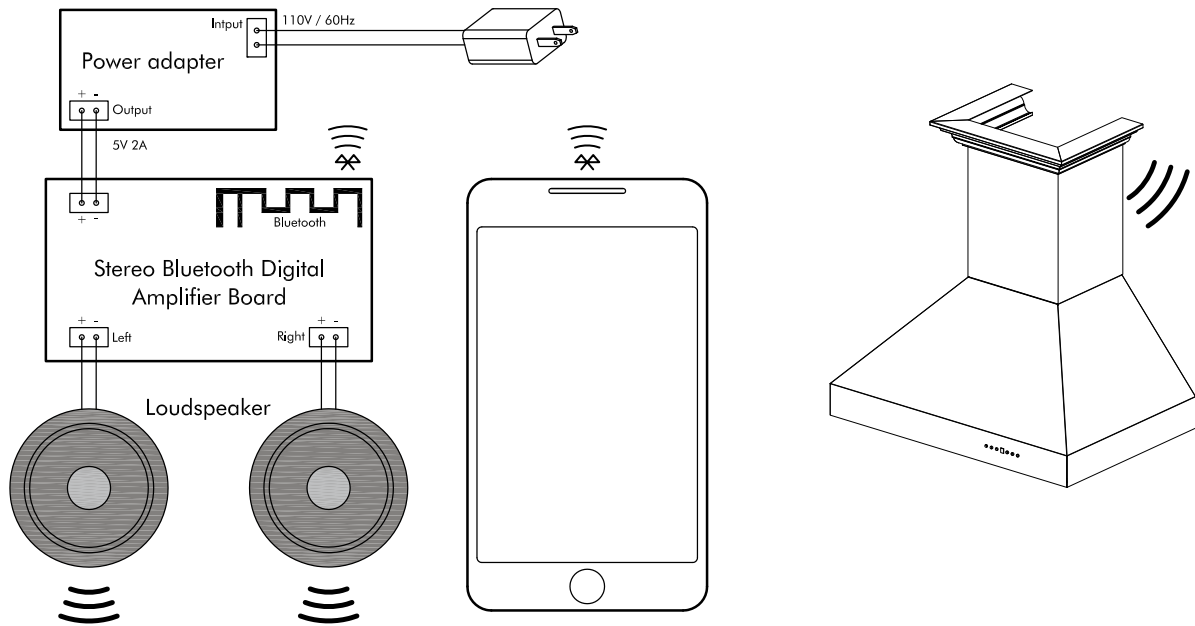


Figure 4

NOTE: CrownSound™ moldings carry a one-year parts warranty. Replacement speakers are available from ZLINE's parts store at [www.zlineparts.com](http://www.zlineparts.com), or call 1-614-777-5004 to speak with a Customer Service representative.

# ISLAND CROWNSOUND™ INSTALLATION

## ELECTRIC POWER RATING

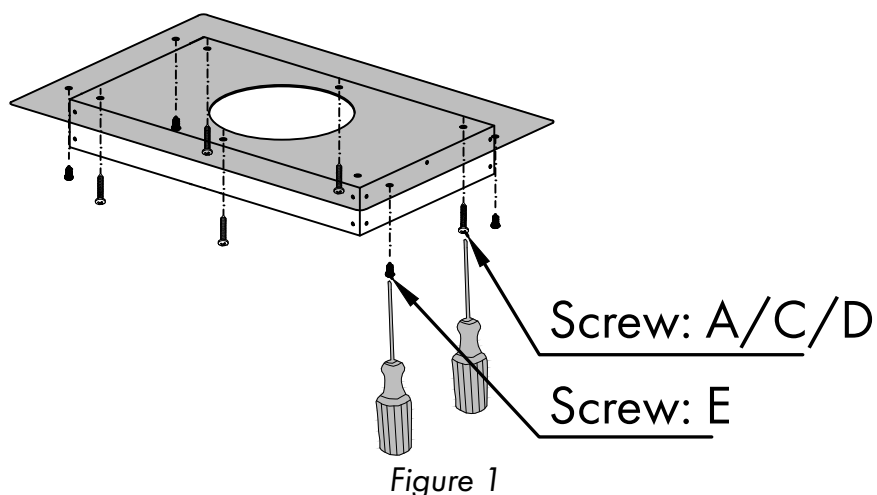
Frequency: 120VAC/60 HZ

Power: 10W

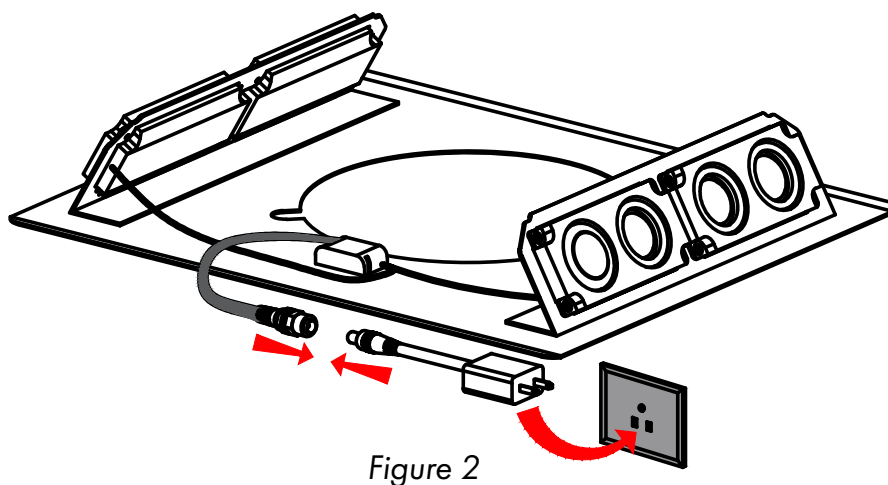


## Installation Tutorial Video

Attach crown molding bracket to ceiling using hardware provided. *Figure 1*



2. Attach ducting and electrical connections. Plug the speakers into an outlet behind the chimney. When the connection is successful, a chime will sound. *Figure 2*





# ISLAND CROWNSOUND™ INSTALLATION

3. Extend the chimney up to the transformer. Slide the crown molding onto the crown bracket and secure into place. The crown should cover the gap. Ensure that it installs properly and is level. *Figure 3*

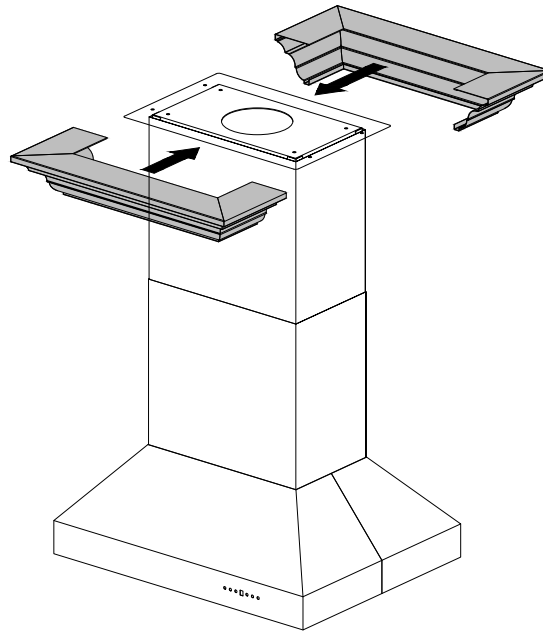


Figure 3

4. Open the phone's Bluetooth settings and find "ZLINE Audio." When the connection is successful, a chime will sound. *Figure 4*

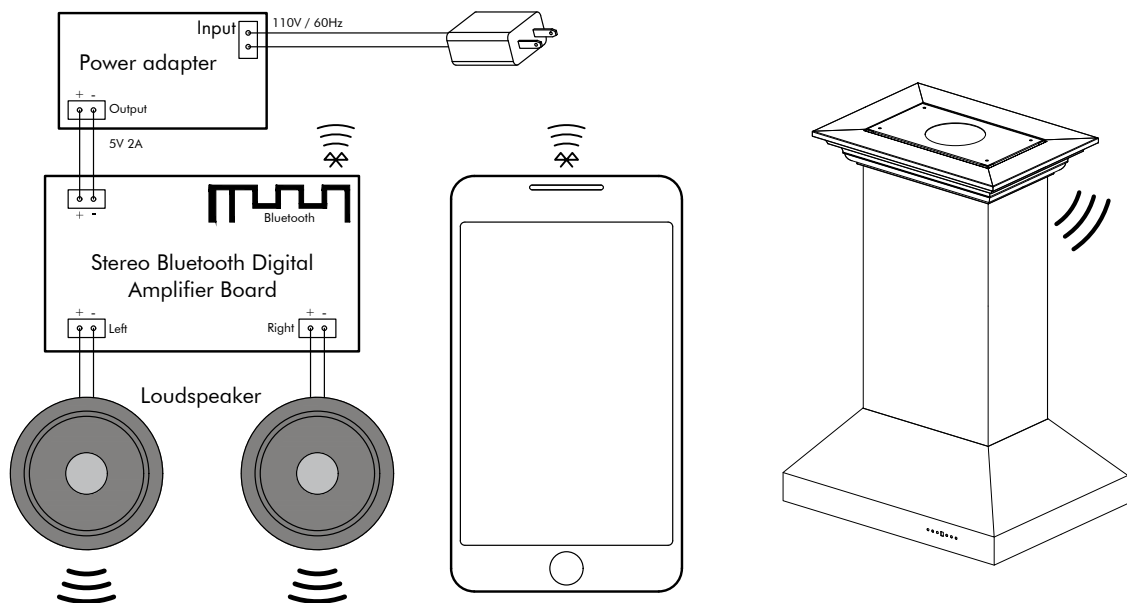


Figure 4

NOTE: CrownSound™ moldings carry a one-year parts warranty. Replacement speakers are available from ZLINE's parts store at [www.zlineparts.com](http://www.zlineparts.com), or call 1-614-777-5004 to speak with a Customer Service representative.