



cliqstudios.com®

The smarter way to your designer kitchen™



Table of Contents

Intro & Blum®	2
Drawer Box Adjustments	3
Removing Drawer	3
Alignment Dimensions	3
Glide Adjustments	4
Front Adjustments	5
Door Hinge Adjustments	6
Door Hinges	6
Removing Doors	6
Full Overlay	7
Inset Concealed (CH)	8
Inset Revealed	9
Bi-fold Hinges	10

Cabinet Hardware Adjustment Guide



CLIQ
INFO
SERIES

Designed for Your Convenience

CliqStudios.com installs cabinet hinges and glides that you, our customer, can easily adjust and that will operate smoothly for years. To ensure that performance, durability and convenience, we use hardware manufactured in the United States and Austria by Blum®, the world leader in cabinet hardware. All standard CliqStudios cabinets include a soft-close function. (Some specialty cabinets do not offer soft-close.)




COMPACT BLUMOTION
Door Hinges



TANDEM + BLUMOTION™
Drawer Glide System



Out of the Box

Inspect cabinets upon delivery, then keep them in their original boxes for protection until installation. Move cabinets to the space where they will be installed 24 hours before installation so they acclimate to the environment. Cabinets require adjustments before and after installation. See the following pages for adjustment instructions.



Periodic Adjustments

Periodically doors and drawer fronts will need to be realigned and adjusted (especially with inset cabinets) because they will move with normal use. Cabinet doors are made of hardwood, which is susceptible to climate and humidity changes. Maintenance will be needed for high-use doors and drawers particularly in climates with severe temperature and humidity changes.



Cabinet Hardware Notes

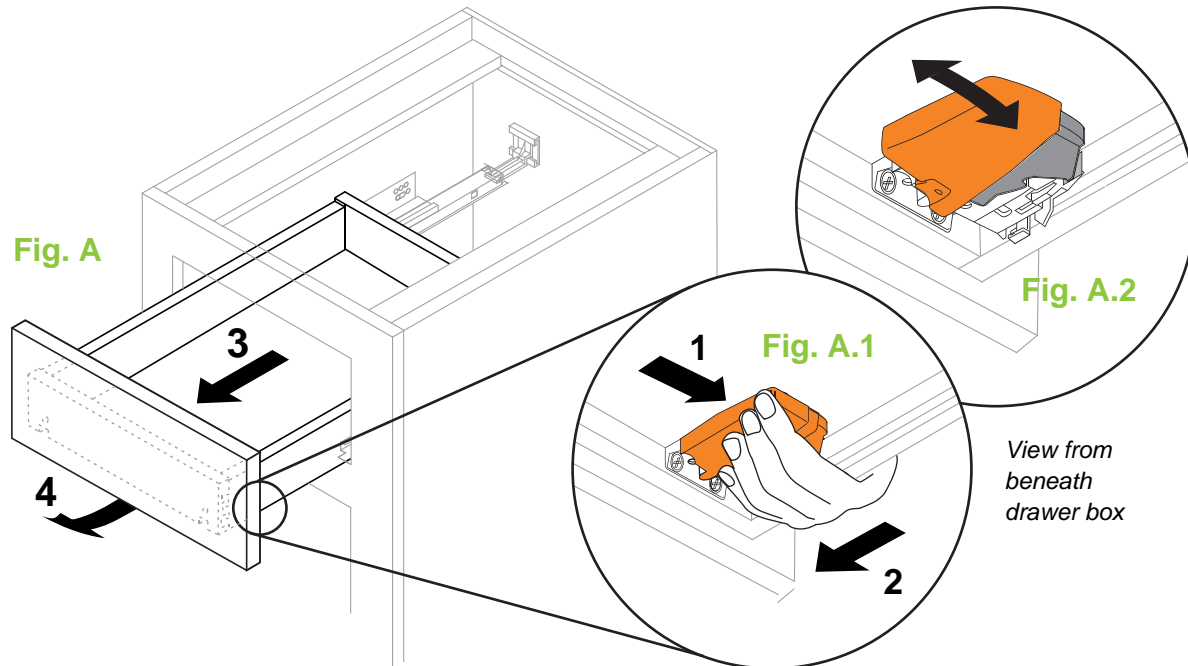
The specific hinge or glide installed on a CliqStudios cabinet will depend on the cabinet style. This guide covers hardware for standard cabinet doors and drawers. There are differences between hardware used in full-overlay cabinets and that used in inset cabinets. Unless noted otherwise, however, adjustments will be the same.





Removing the Drawer from the Cabinet

To remove the drawer from the cabinet, pull the drawer out (Fig. A) to access the orange levers mounted under the drawer box. (Fig. A.2) The levers secure the drawer to the glides. To release the drawer, squeeze the orange levers (Fig. A.1) while gently pulling the drawer out and up (Fig. A).



To replace the drawer, extend the glides out from the cabinet. Place the drawer on the glides and shut the drawer normally. Open and shut the drawer to ensure that the orange levers are engaged.



Alignment Dimensions

After shipping, your cabinet drawer box may not close properly and may need to be realigned. Inspect the drawer box glides before installing the cabinet. First, check to see if the drawer front is properly aligned with the cabinet face frame. In full-overlay styles, (Fig. B) the drawer front should be nominally $\frac{1}{2}$ " from the top of the cabinet face frame and $\frac{1}{2}$ " from the top of the cabinet door or adjacent drawer front. The drawer front should be $\frac{1}{4}$ " from the sides of the cabinet face frame. For inset cabinet styles, (Fig. C) the gap between the door or drawer front and the face frame should be a nominal $\frac{1}{8}$ ".

Fig. B

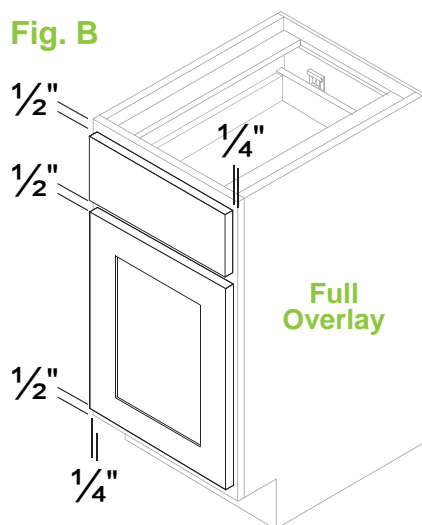
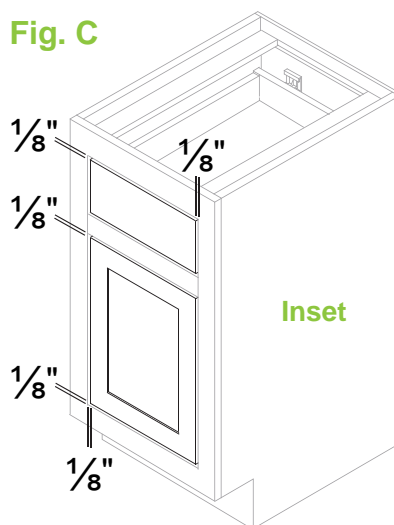


Fig. C



NOTES:

A two-door cabinet will have a nominal $\frac{1}{8}$ " gap between the two doors.

Cabinet reveal dimensions are nominal. Due to variations in climate and hardwood absorption of humidity, reveals and gaps will change and adjustments and tolerances may vary slightly. This is especially true with inset cabinetry.




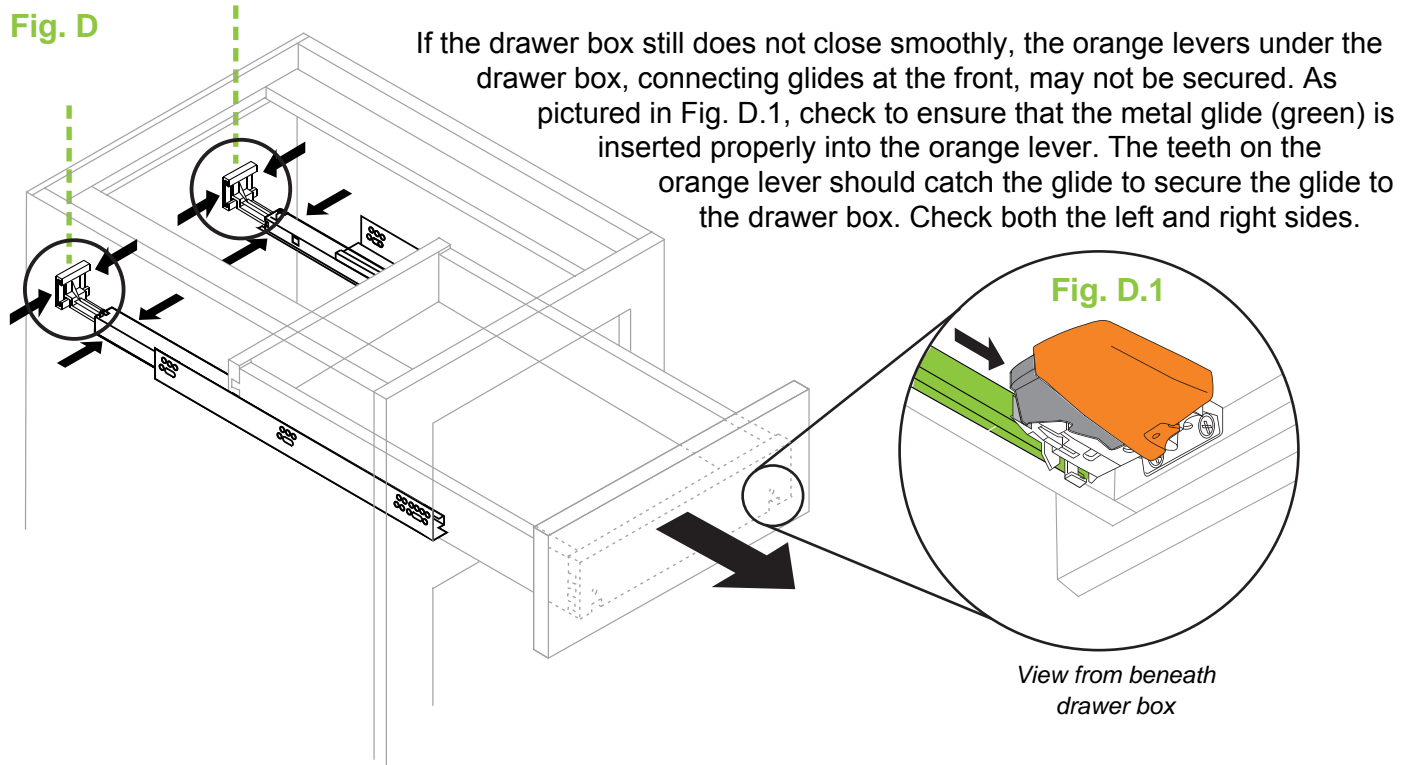
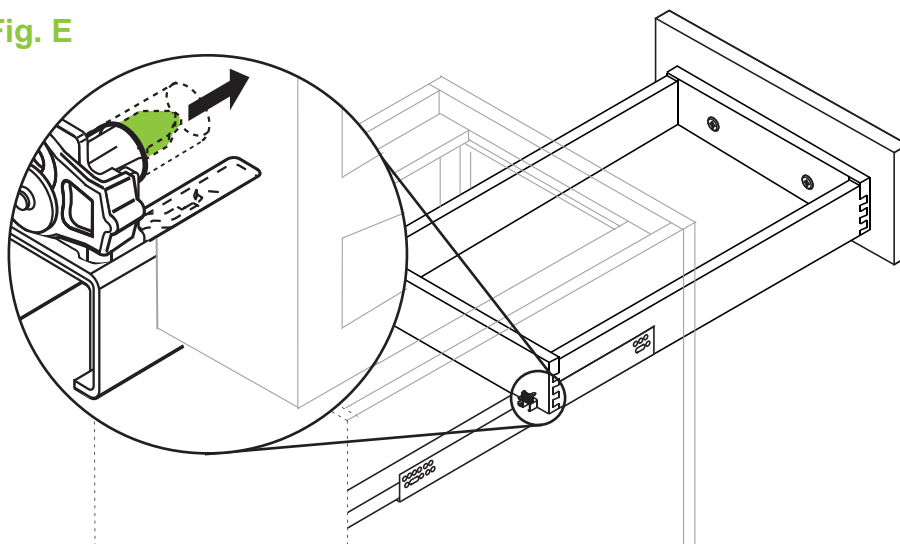
 **Drawer Glide Alignments**
If the drawer does not shut smoothly, the glides may be out of alignment at the back of the cabinet. Remove the drawer box and check that the white brackets are centered (dashed green line in Fig. D). The brackets slide left to right. After aligning the brackets, replace the drawer and test to see that it closes and opens normally. Note: The white brackets may not be exactly be on center when your drawer box closes properly - this is the self-alignment feature.

Fig. D



If the drawer will not go all the way into the cabinet face frame, the back glide pin may not be properly inserted into the hole at the back of the drawer box. Pull the drawer out 15 to 20 inches and locate the tilt adjustment lever (Fig. E). There is a flat metal glide pin (green in Fig. E) that must insert into the hole in the drawer box for the drawer to close. Check both left and right sides.

Fig. E

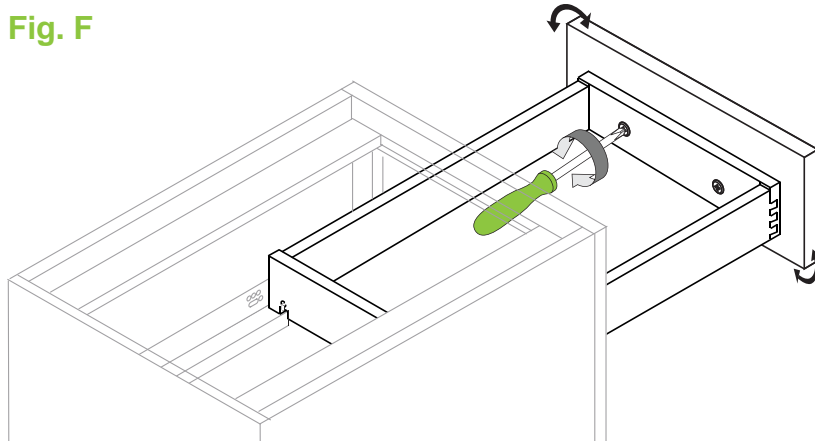




Drawer Front Adjustments

The drawer front itself, independently of the drawer glides, can be adjusted $\frac{1}{8}$ " in any direction. Inside the drawer box, pan head screws secure the drawer front to the drawer box. (Fig. F) Using a Phillips screw driver, loosen, but do not remove, the screws, and align each side of the drawer front, then retighten the screws.

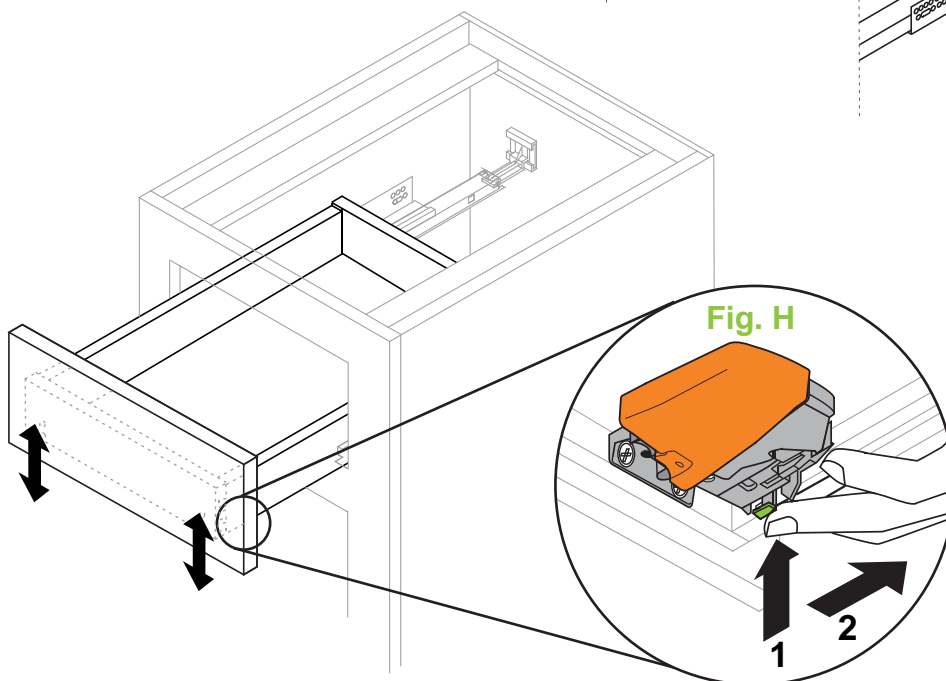
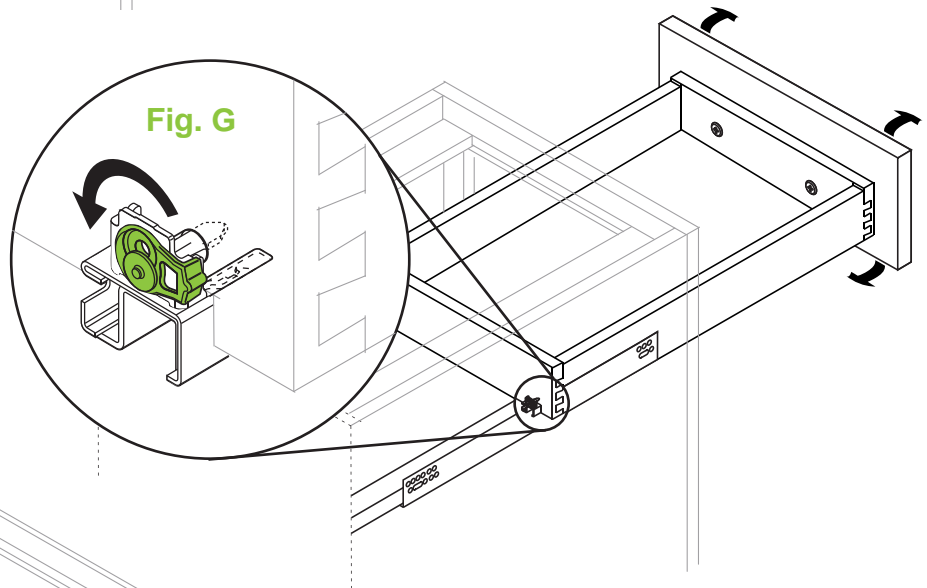
Fig. F



NOTE:

Dimensions for distances around the drawer front for full-overlay styles are $\frac{1}{2}$ " from the top of the cabinet face frame, $\frac{1}{2}$ " from the top of the cabinet doors and $\frac{1}{4}$ " from the left and right sides of the cabinet face frame. Inset cabinet styles allow for a $\frac{1}{8}$ " gap between the drawer front and the face frame. See page 3, Fig. B & C for visual reference.

The drawer front can be adjusted front to back $\frac{1}{8}$ ". (This adjustment is especially helpful with inset cabinet styles.) Locate the tilt-adjustment lever at the rear of the runner and rotate the lever (Fig. G, highlighted green) back and forth to adjust the drawer front forward or backward.



The front of the drawer box can be adjusted up and down. Locate the adjustment tab (Fig. H) on the orange lever mechanism. Push tab up and then slide lever front to back to adjust the rise or fall of the drawer box $\frac{1}{8}$ ".



Door Hinges

CliqStudios full-overlay and inset concealed-hinge style cabinets include 6-way adjustable soft-close hinges. These hinges are adjusted with a combination screw and cam system. Inset revealed hinge styles have 4-way adjustable hinges and do not have a soft-close feature. All hinges are nickel-plated hardened steel and can be easily adjusted with a Phillips screwdriver.



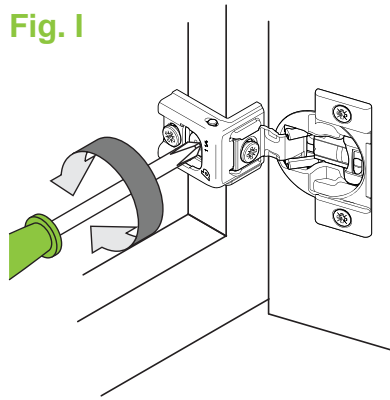
Removing Doors

Support a door while releasing hinges for removal. Remove doors before installation and set aside in a safe area. Doors can also be removed for general maintenance and cleaning.

Full Overlay

Use a Phillips screwdriver to remove the center screw that holds the hinge to the face frame. The hinge will remain attached to the door.

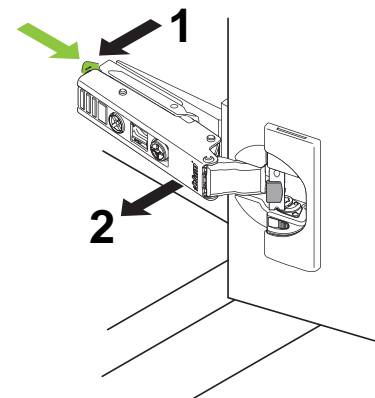
Fig. I



Inset Concealed Hinge (CH)

Pinch the lever (green arrow Fig. J) at the rear of the hinge and pull the door away from the frame. The hinge will separate.

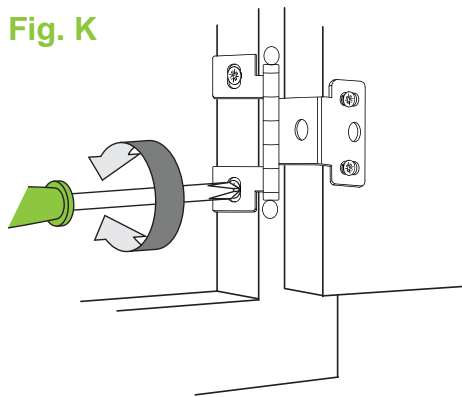
Fig. J



Inset Revealed Hinge

Use a Phillips screwdriver to remove the two screws holding the hinge to the face frame.

Fig. K




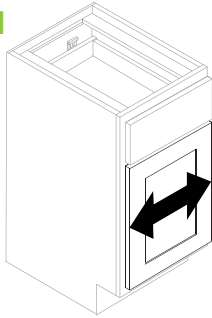
 **Full Overlay Hinge Adjustments**
Cabinet doors are nominally aligned when shipped and may require adjustment before installation. Doors may shift over time and with seasonal climate changes. Check to see if the doors are properly aligned (see page 3). A two-door cabinet will have a nominal gap of 1/8" between the doors.

Fig. L.1



Left | Right

Rotate the front cam screw to move door left or right (±1/16")

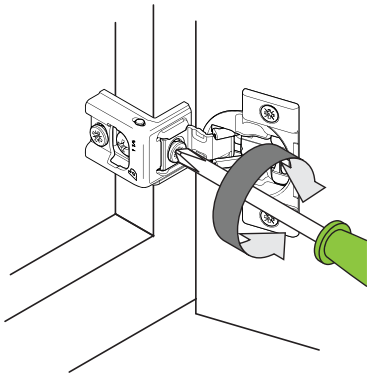
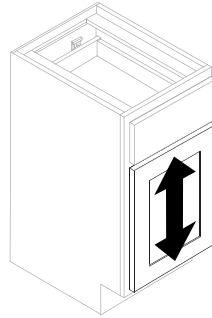


Fig. L.2



Up | Down

Loosen installation screws to adjust door position (± 1/8"), then retighten

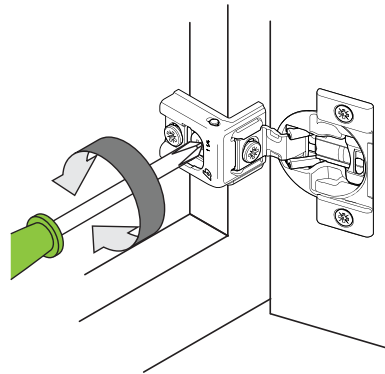
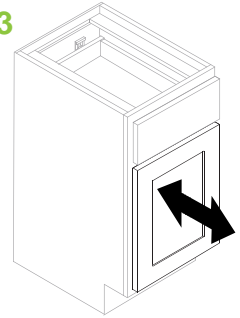
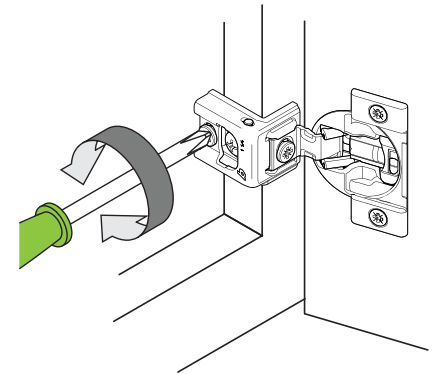


Fig. L.3



In | Out

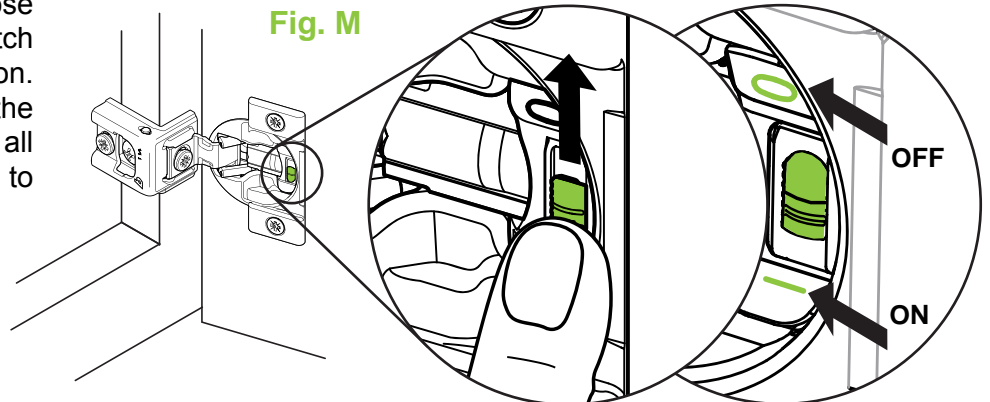
Rotate the rear cam screw to adjust door gap (+ 3/32", - 1/32")



Shut Off Soft-Close Door Function

To deactivate the soft-close function, move the light gray switch in the hinge to the O position. Close the door to complete the deactivation. Deactivate one or all hinges on small or light doors to control the close speed.

Fig. M




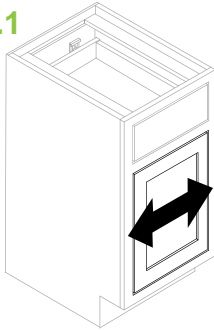
 **Inset Concealed Hinge (CH) Adjustments**
Cabinet doors are nominally aligned when shipped and may require adjustment before installation. Doors may shift over time and with seasonal climate changes. Check to see if the doors are properly aligned (see page 3). A two-door cabinet will have a nominal gap of 1/8" between the doors.

Fig. N.1



Left | Right

Rotate front cam screw to move door left or right (± 2 mm)

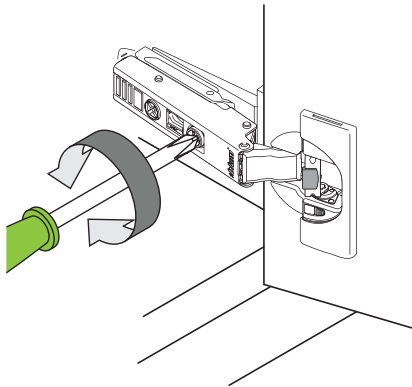
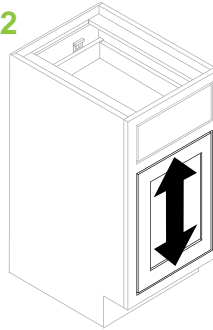


Fig. N.2



Up | Down

Rotate the center cam screw to adjust door position (± 2 mm)

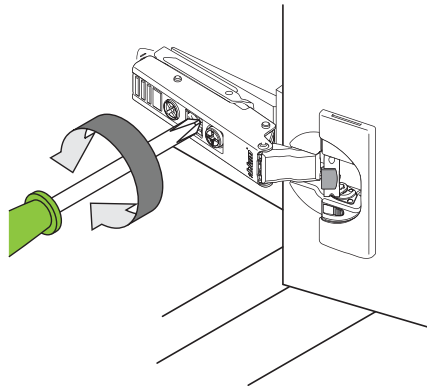
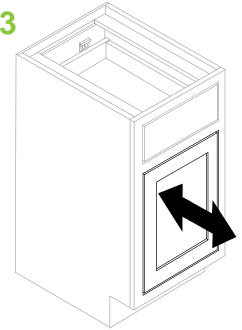
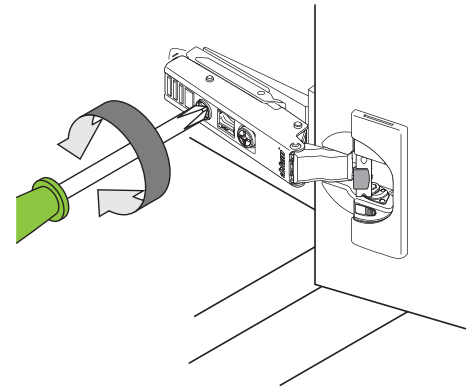


Fig. N.3



In | Out

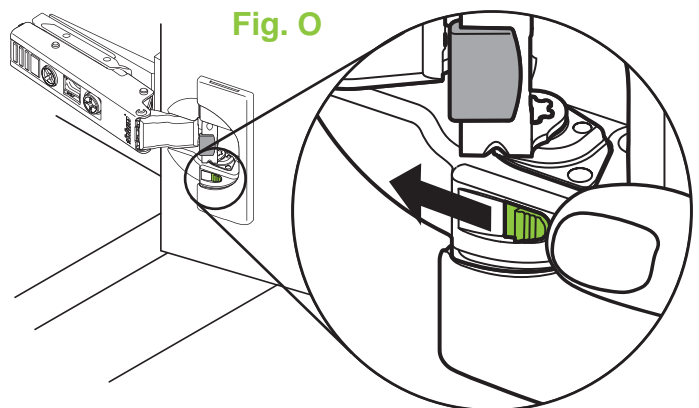
Rotate rear spiral tech cam screw to adjust door gap (+ 3mm, -2mm)



Shut Off Soft-Close Door Function

To deactivate the soft-close function, move the light gray switch in the hinge to the deactivated position. Close the door to complete the deactivation. Deactivate one or all hinges on small or light doors to control the close speed.

Fig. O




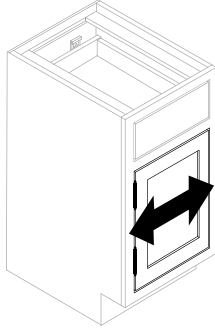
 **Inset Revealed Hinge Adjustments**
Cabinet doors are nominally aligned when shipped and may require adjustment before installation. Doors may shift over time and with seasonal climate changes. Check to see if the doors are properly aligned (see page 3). A two-door cabinet will have a nominal gap of 1/8" between the doors.

Fig. P.1



Left | Right

Loosen screws attached to door and adjust position ($\pm 1/16"$), retighten screws

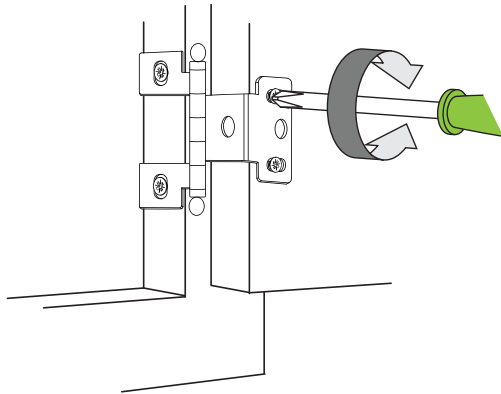
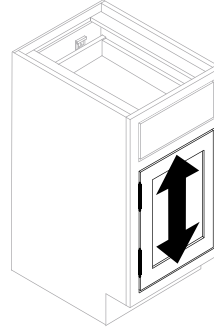
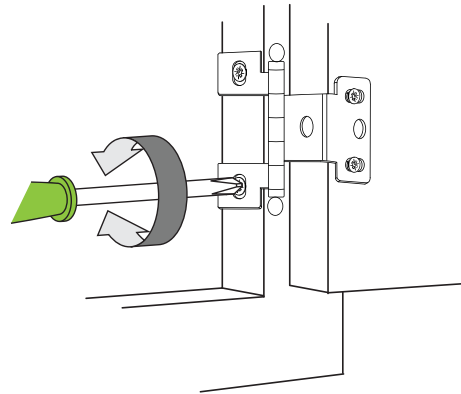


Fig. P.2



Up | Down


Loosen screws attached to frame and adjust position ($\pm 1/16"$), retighten screws



Notes:

Revealed-barrel hinges on inset doors are only adjustable in four directions. Due to that limitation and the susceptibility of hardwood to expansion and contraction with climate and humidity, inset revealed-hinge doors may not align evenly.

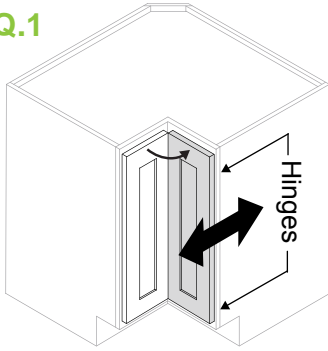
Revealed-barrel inset hinges do not have a soft-close feature.

 **Full-Overlay Bi-Fold Hinge Adjustments**
Base easy-reach cabinets, including Super Susans, have bi-fold door. One door is hinged to the face frame and the second door is attached to the first door.

Bi-Fold Hinge Adjustment: Door to Face Frame

Illustrations below depict a bi-fold door hinged to the cabinet on the right side. Adjustments shown are to the right (gray) door.

Fig. Q.1



In | Out

Rotate rear cam screw to adjust door position from face frame (+ 3mm, -2mm)

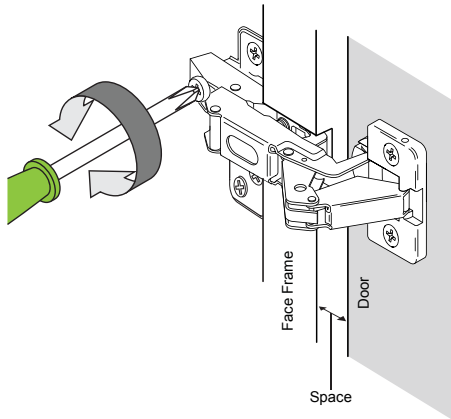
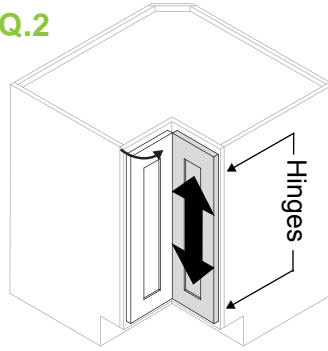


Fig. Q.2



Up | Down

Rotate plate cam screw to adjust door position (± 2 mm)

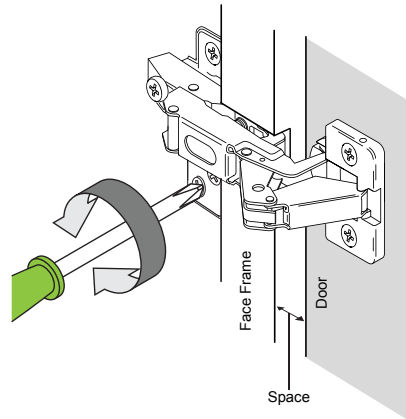
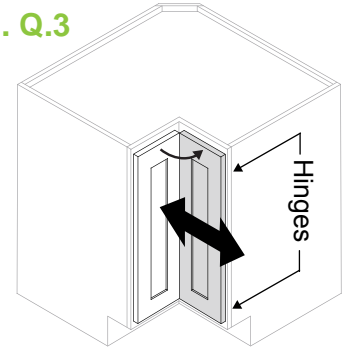
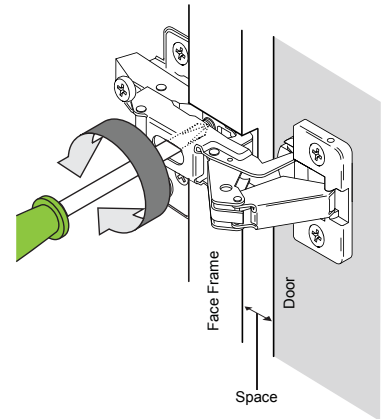


Fig. Q.3



Left | Right

Rotate center (inside) cam screw to adjust door gap (± 2 mm)



Inset BER Cabinet Hinge Note:

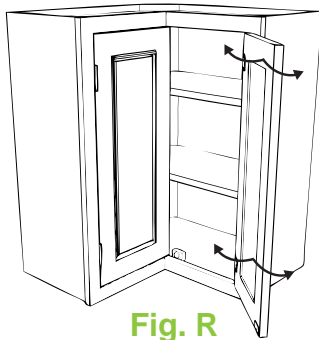



Fig. R

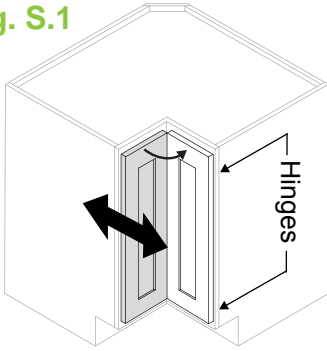
Inset (concealed and revealed hinge) easy-reach cabinets do not have bi-fold doors. Inset styles use gull-wing doors that open in opposite directions. One door must be opened before the other door is opened. These doors use the same hinges as standard cabinets. See page 8 (Inset CH) or page 9 (Inset Revealed) for hinge adjustments.

 **Full Overlay Bi-fold Hinge Adjustments**
Bi-fold cabinet doors have two sets of hinges to adjust, one connecting a door to the face frame and the other connecting the two doors.

Bi-Fold Hinge Adjustment: Door to Door

Illustrations below depict a bi-fold door hinged to the cabinet on the right side. Adjustments shown are to the right (gray) door.

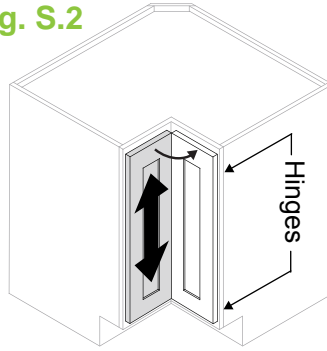
Fig. S.1



In | Out

Rotate rear cam screw to adjust door position from adjacent bi-fold door (± 2 mm)

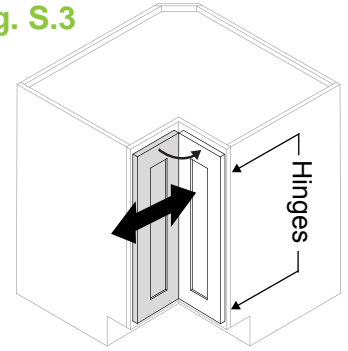
Fig. S.2



Up | Down

Rotate upper cam screw to adjust door position from adjacent bi-fold door (± 2 mm)

Fig. S.3



Left | Right

Rotate front cam screw to adjust door position from adjacent bi-fold door (± 2 mm)

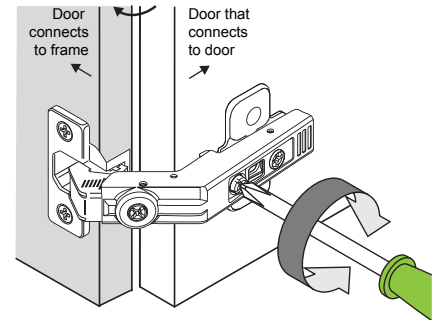
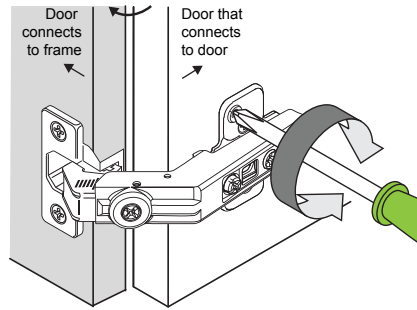
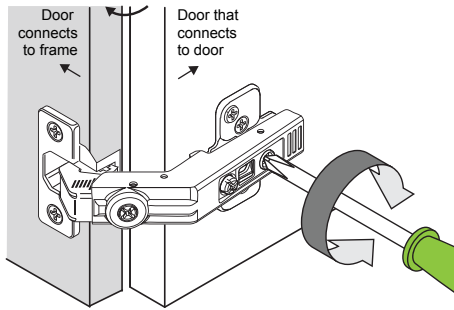
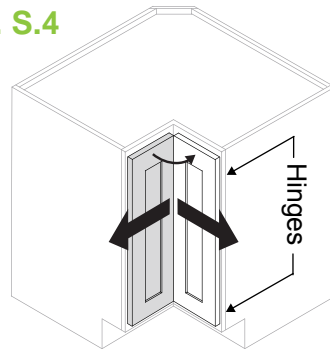


Fig. S.4



Door | Gap

Rotate center cam screw to adjust gap between the bi-fold doors (± 2 mm)

